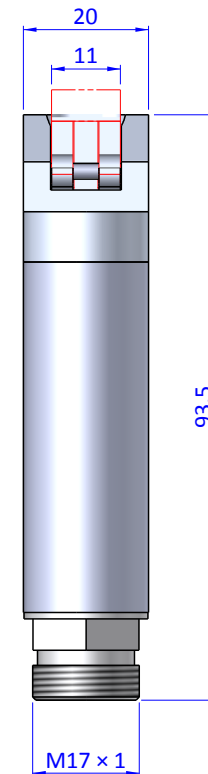
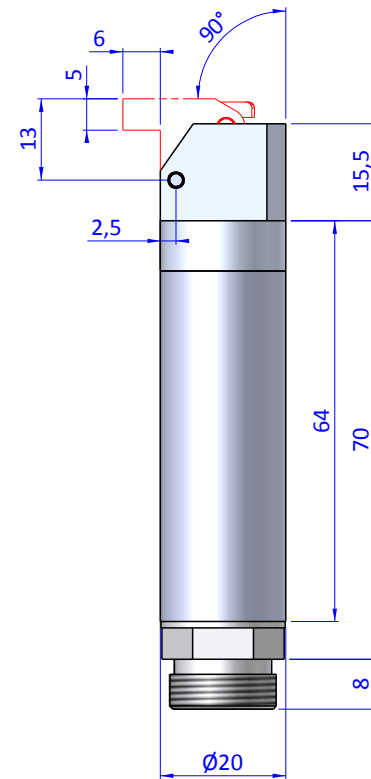
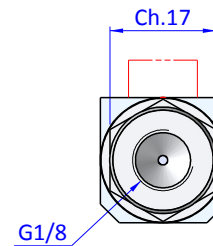
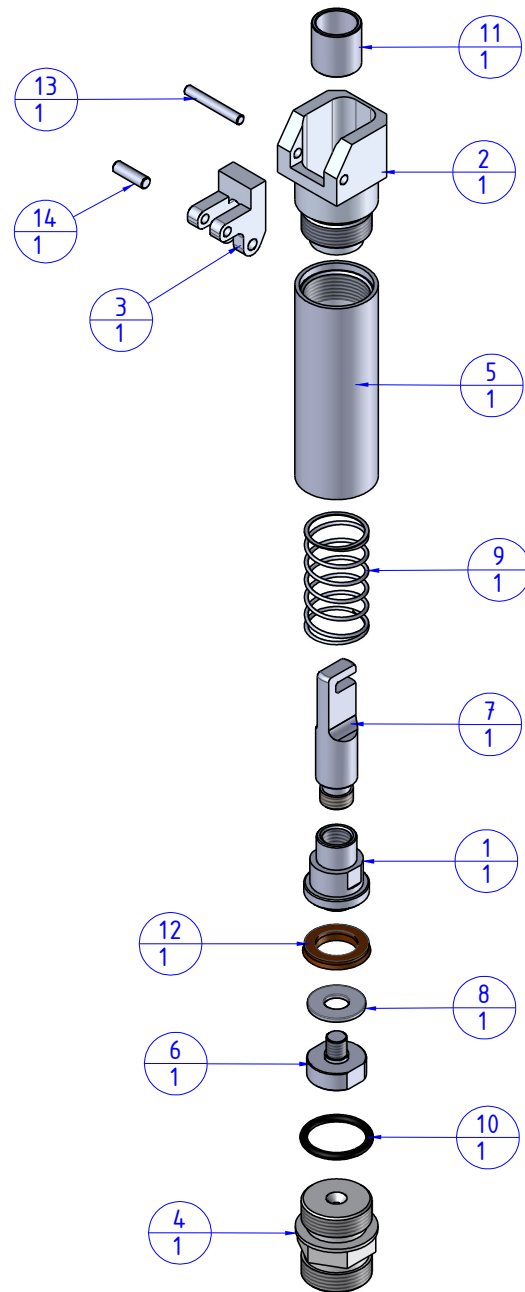



THE PROPERTY OF THE DRAWING IS ESTABLISHED BY LAW. IT IS FORBIDDEN TO PRODUCE OR SHOW IT TO THIRD PARTY, WITHOUT A WRITTEN AGREEMENT.

Item	Name	Q.ty
1	GRF20.90.03	1
2	GRF20.90.05	1
3	GRF20.90.06	1
4	GRF20.95.01	1
5	GRF20.95.02	1
6	GRF20.95.03.2	1
7	GRF20.95.04	1
8	GRF20.95.10	1
9	M.GRF.2095.1	1
10	OR.2056	1
11	PAP.101212	1
12	PSP.1610255	1
13	SP.2,5x18M6	1
14	SP.3x10M6	1



Format A3
UNI 936-76

 FPS SERVICES AUTOMATION		DESIGNED FROM	REVIEW
		FPS Automation	A
GENERAL TOLERANCE	DESCRIPTION	DATE	WEIGHT
UNI - ISO 2768		16/07/2019	0,072kg
CLASSE F		CODE	CA.GRF.2090
		CA.GRF.2090	